

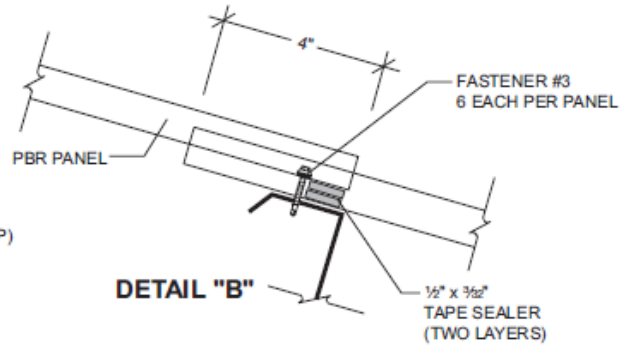
## PBR PANEL ATTACHMENT

1/4" - 14 X 7/8 LONG- LIFE LAPTEK  
WWASHER (FASTENER #4)  
@ 20" O.C.

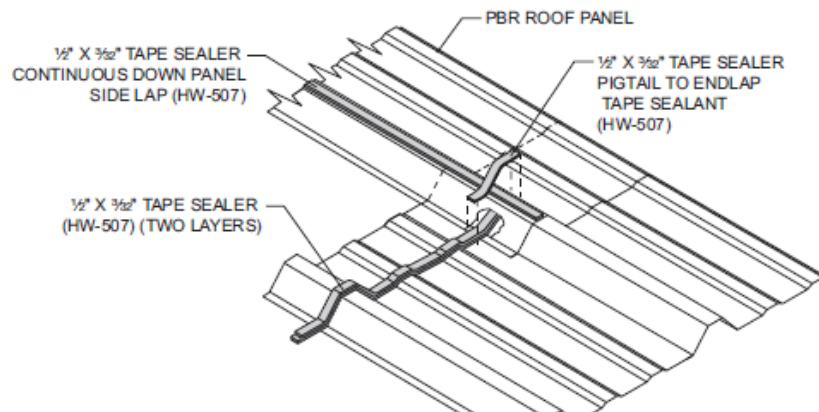
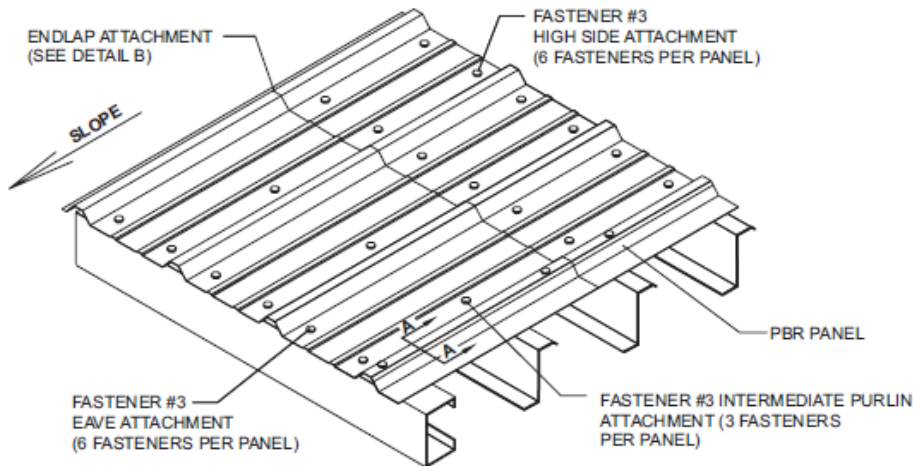
1/2" X 3/8" TAPE SEALER  
PIGTAIL TO ENDLAP

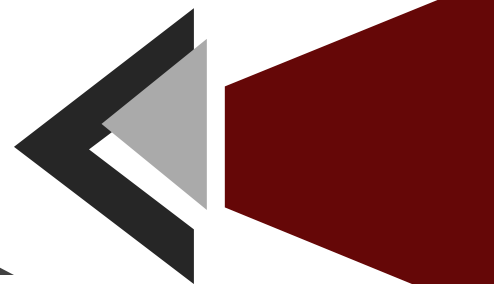
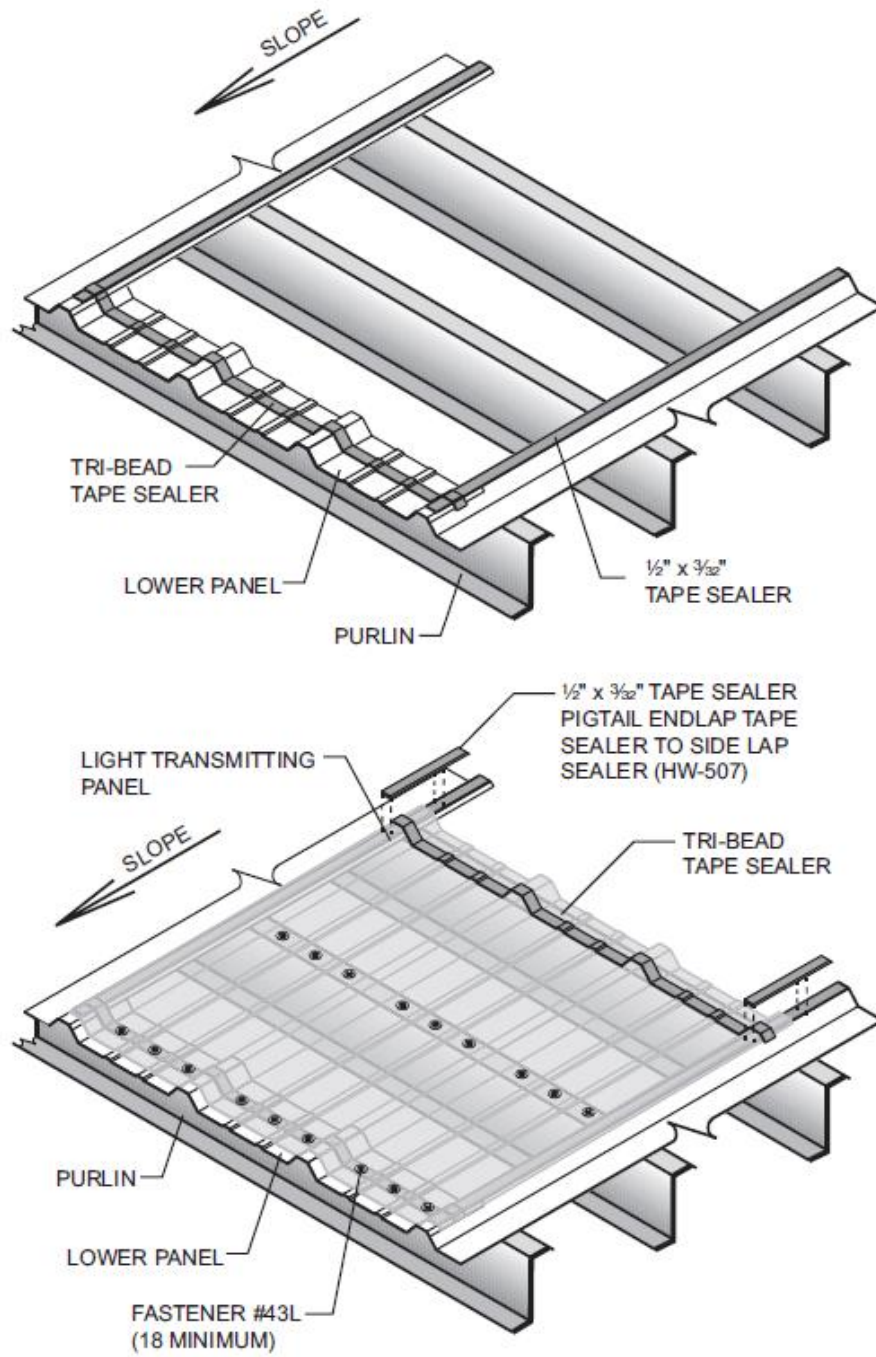
1/2" X 3/8" TAPE SEALER  
(CONTINUOUS @ ENDLAP)

**DETAIL "A"**

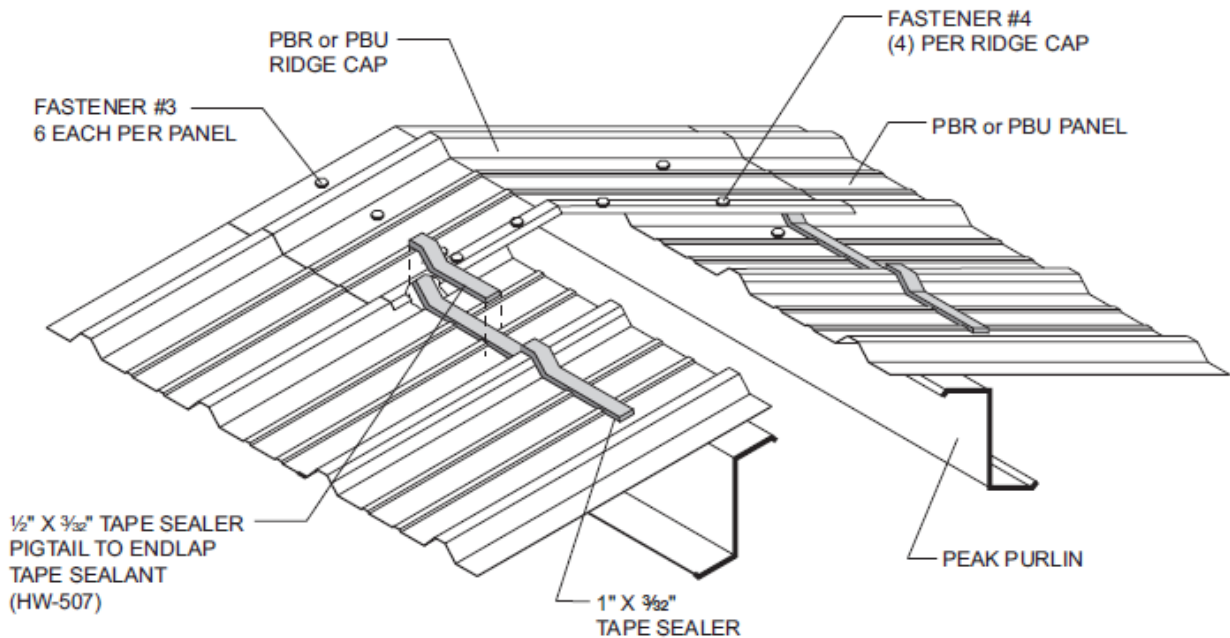
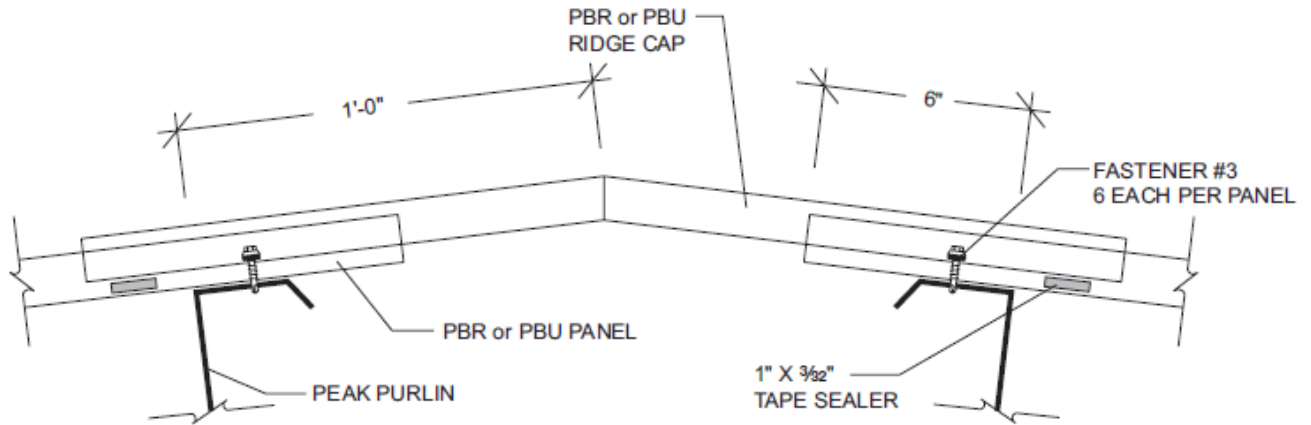


**DETAIL "B"**

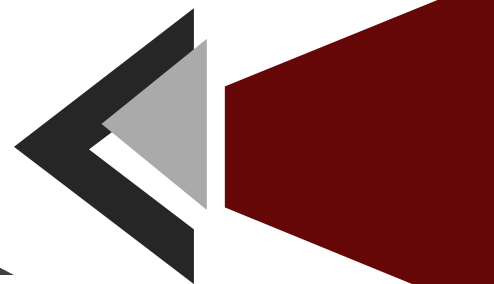
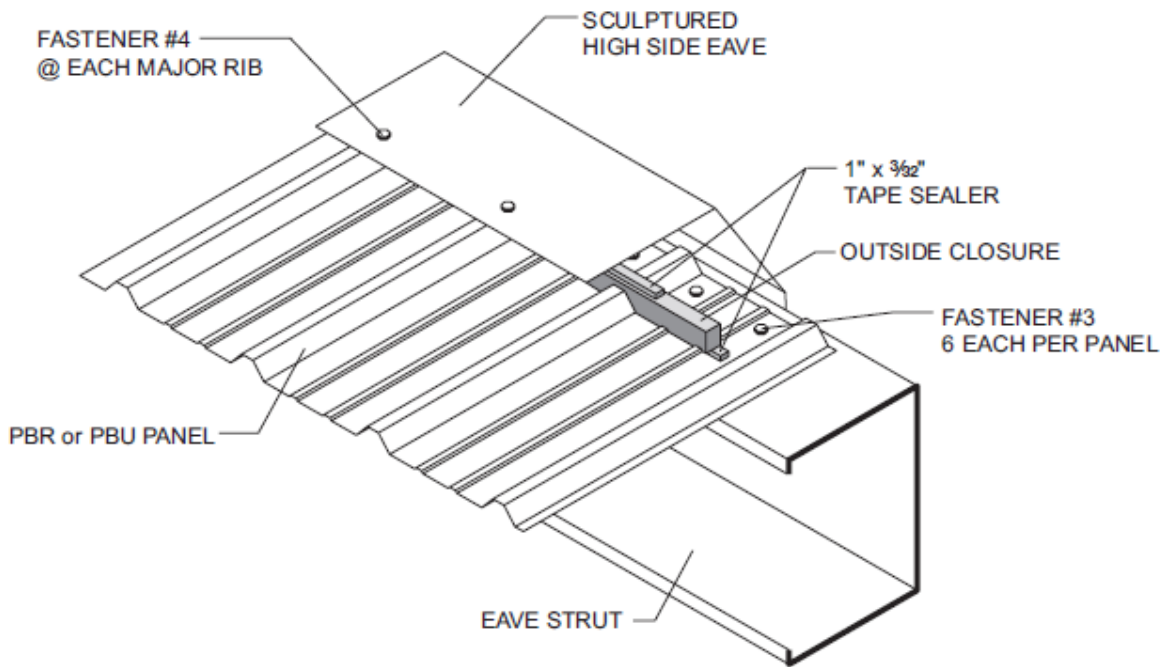
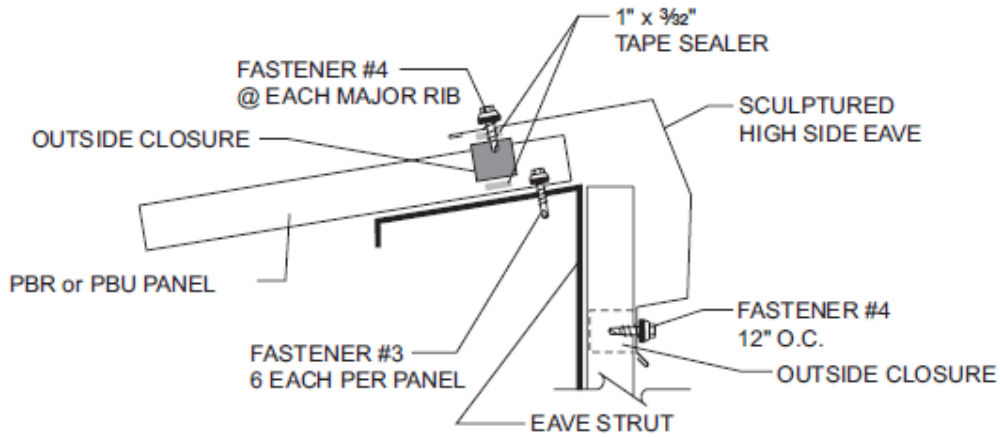


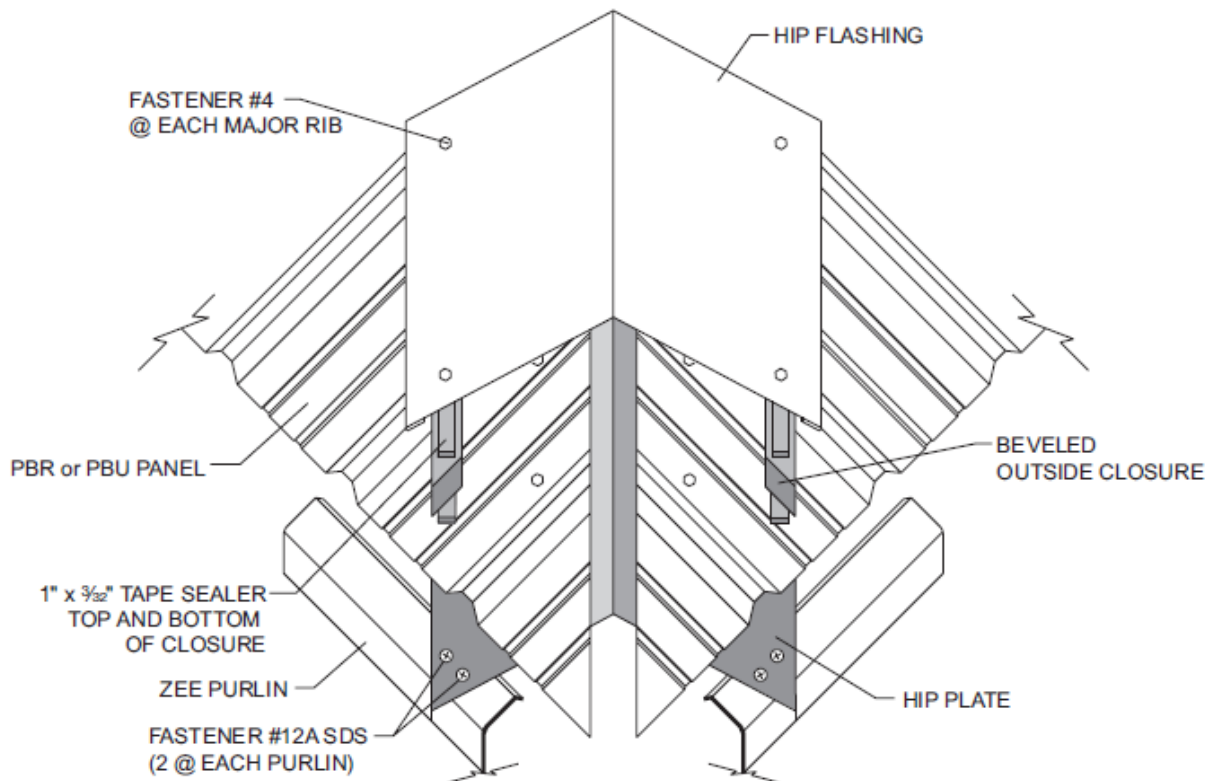
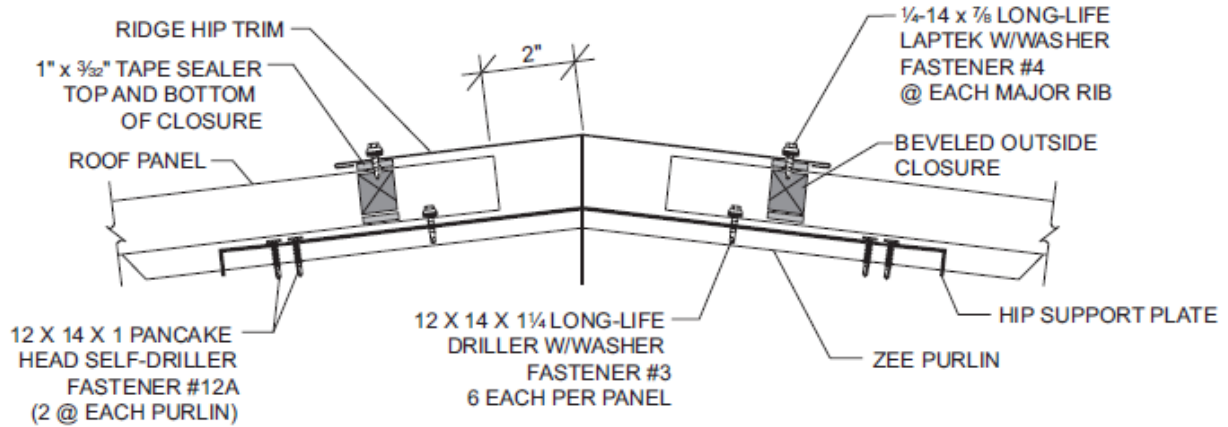


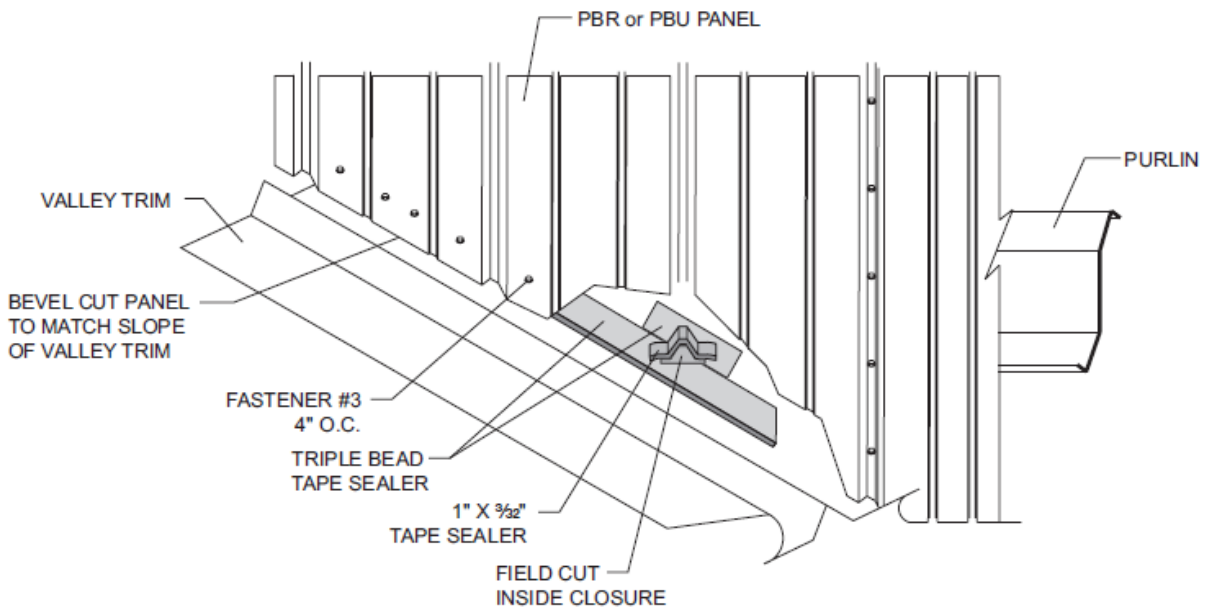
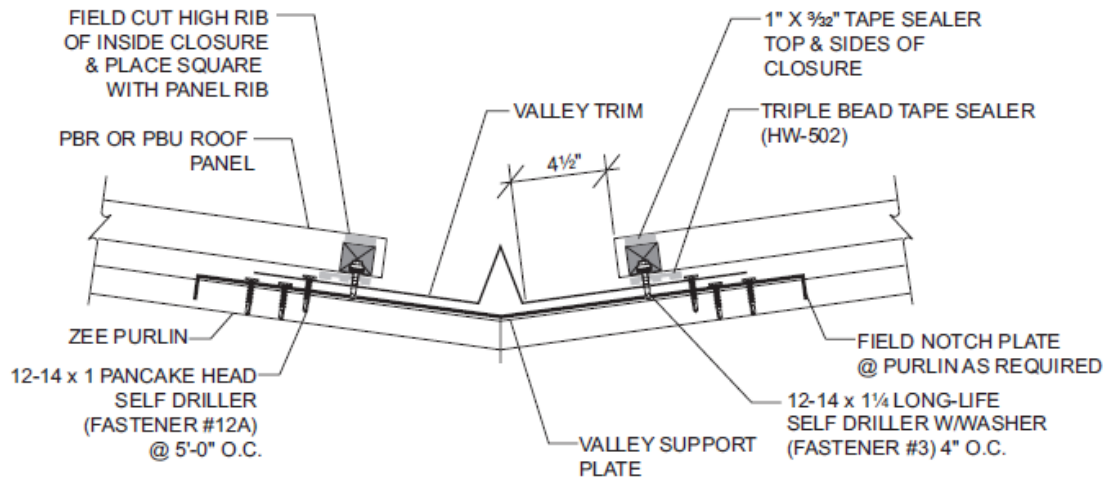
**TYPICAL DETAILS  
Ridge**

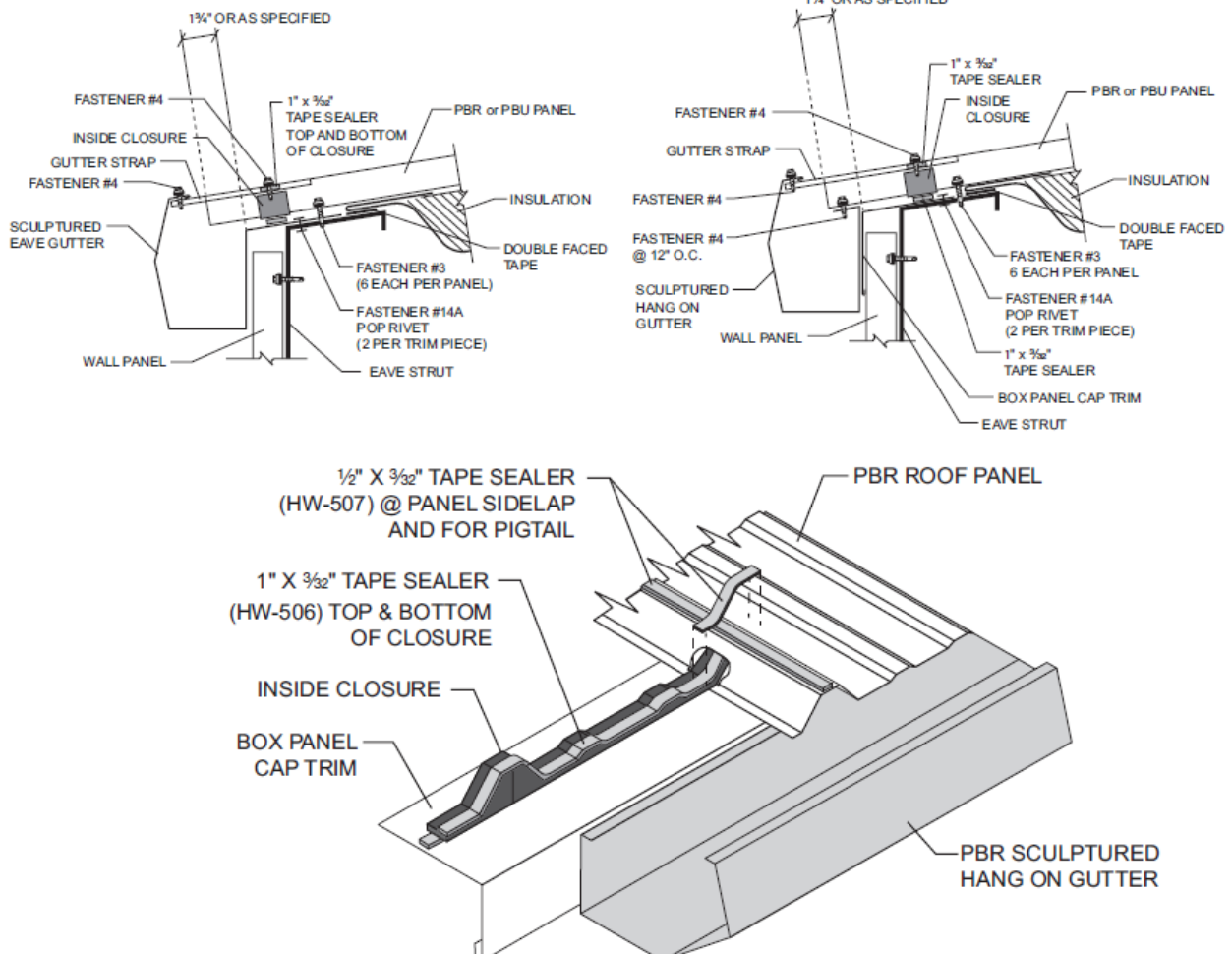


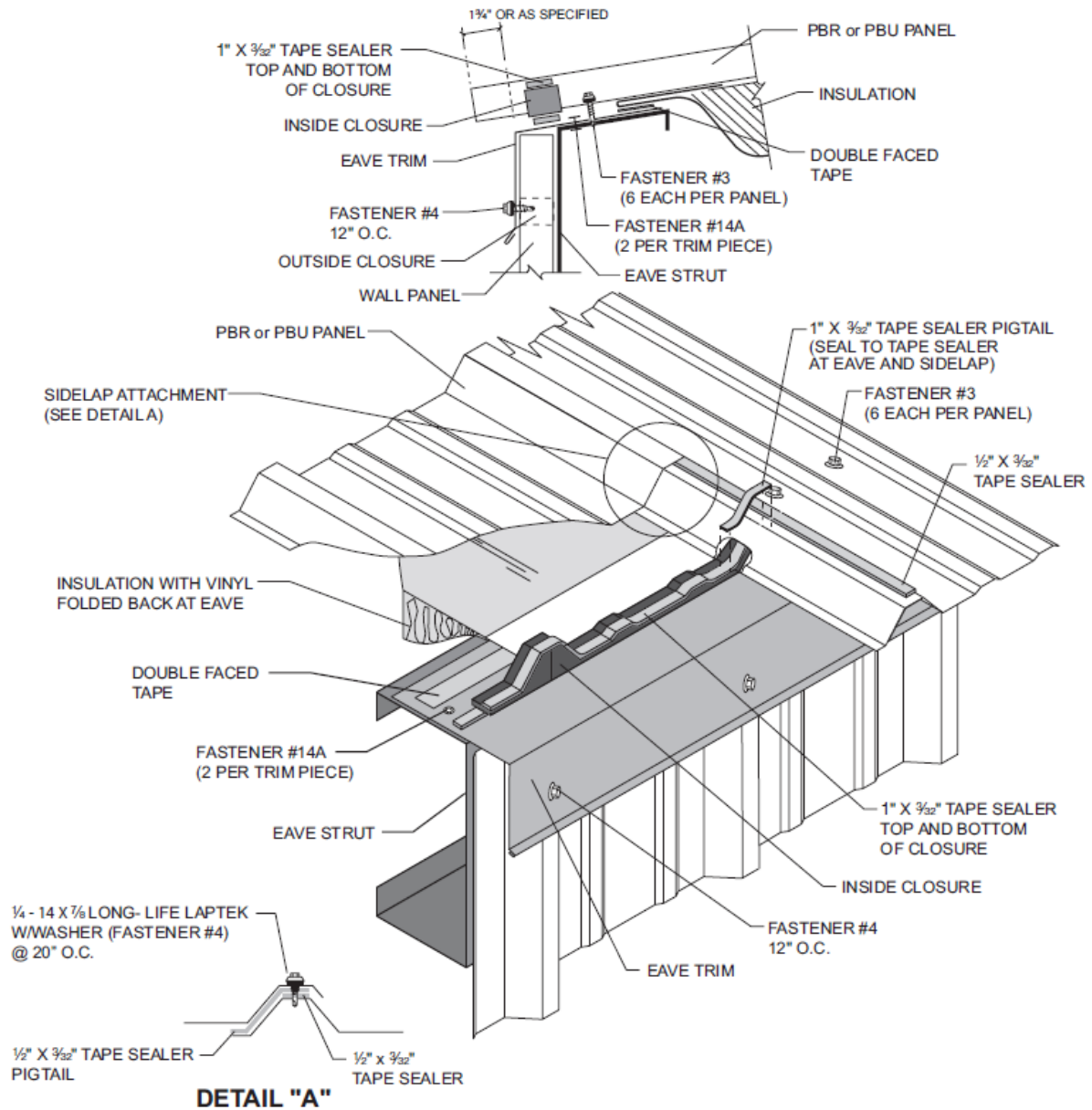
**TYPICAL DETAILS  
High Side Eave**

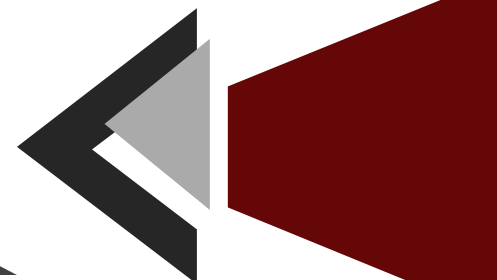
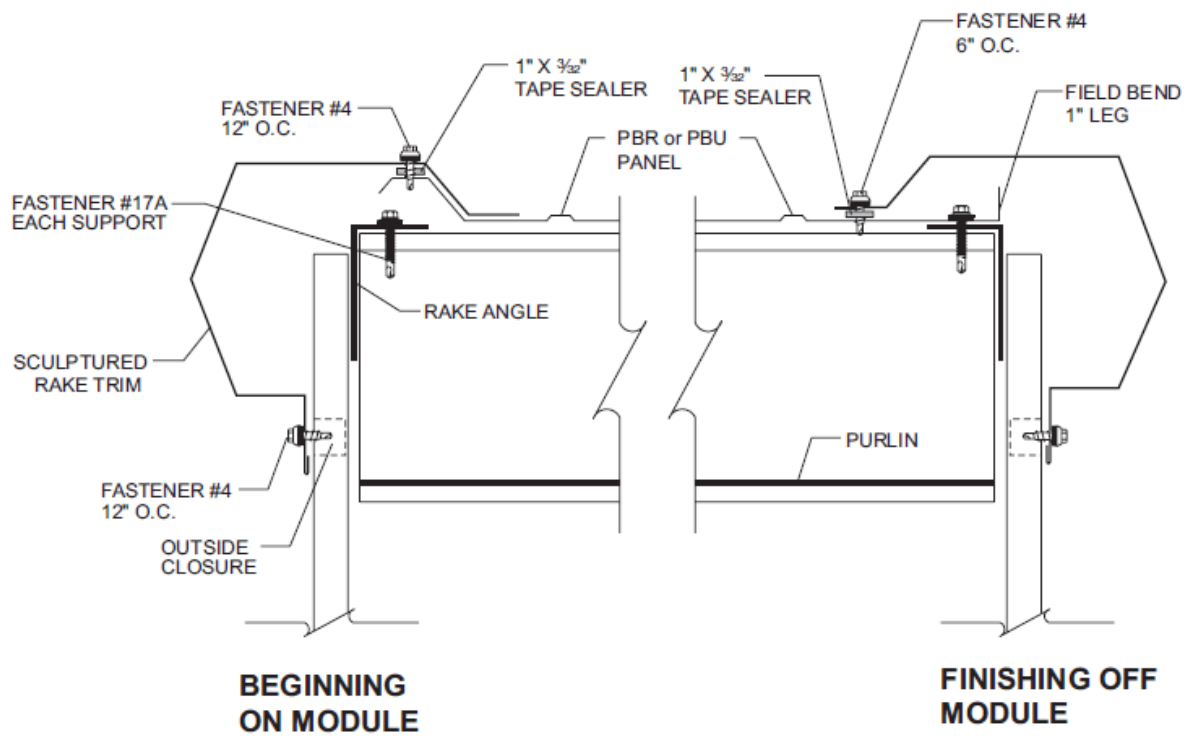


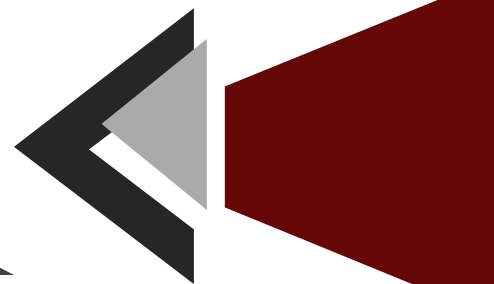
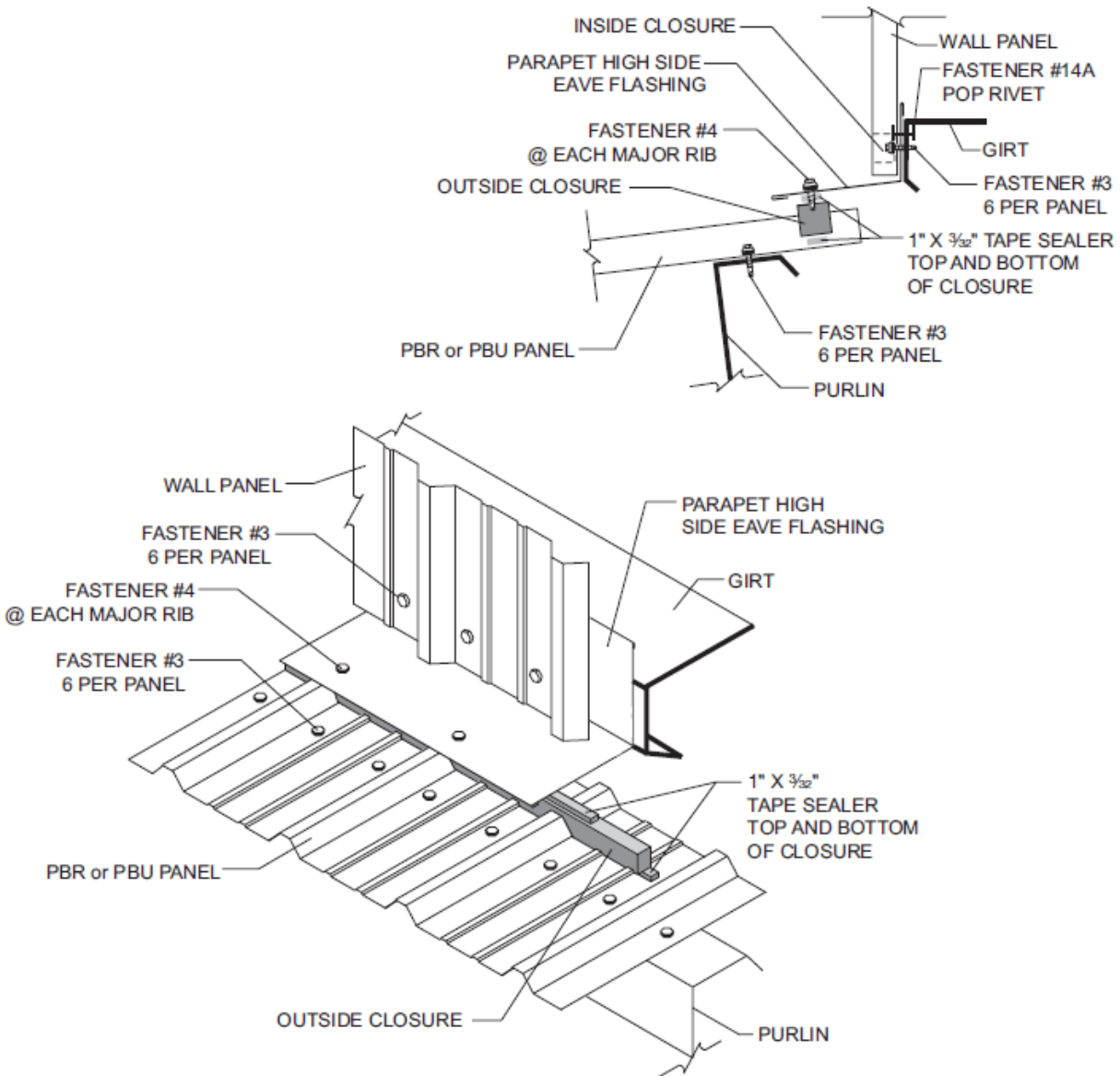
**TYPICAL DETAILS**  
**Hip**


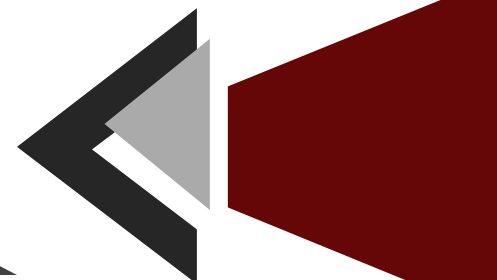
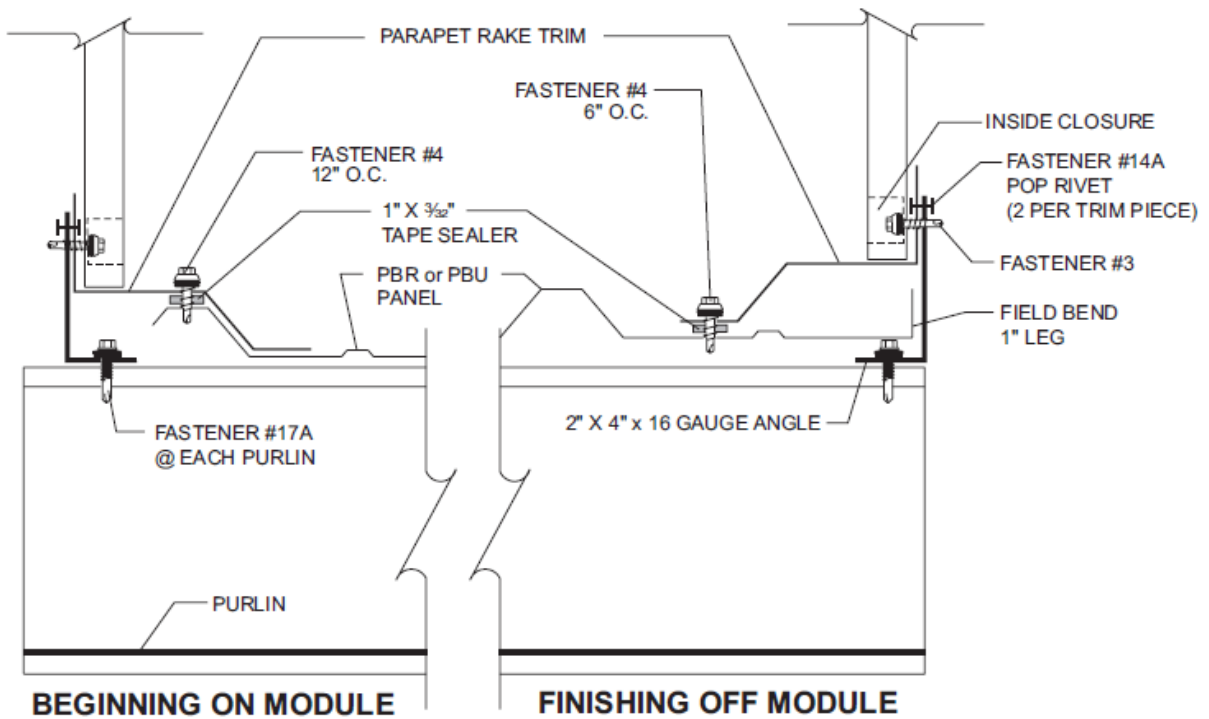
**TYPICAL DETAILS**  
**Valley**


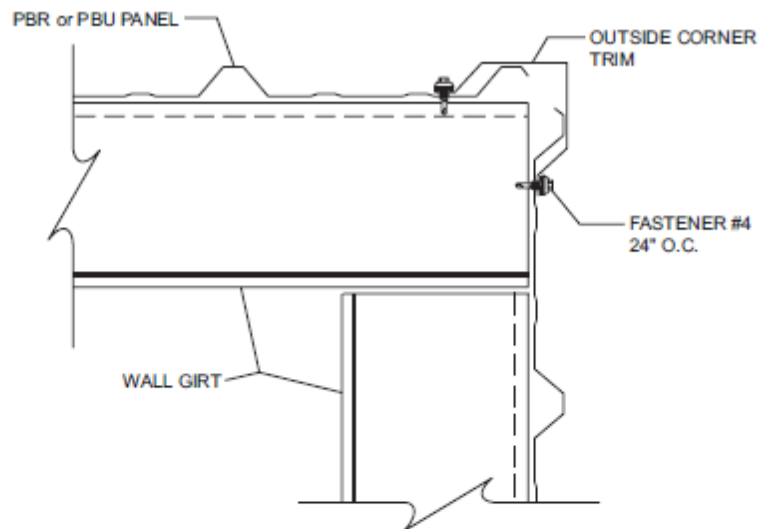
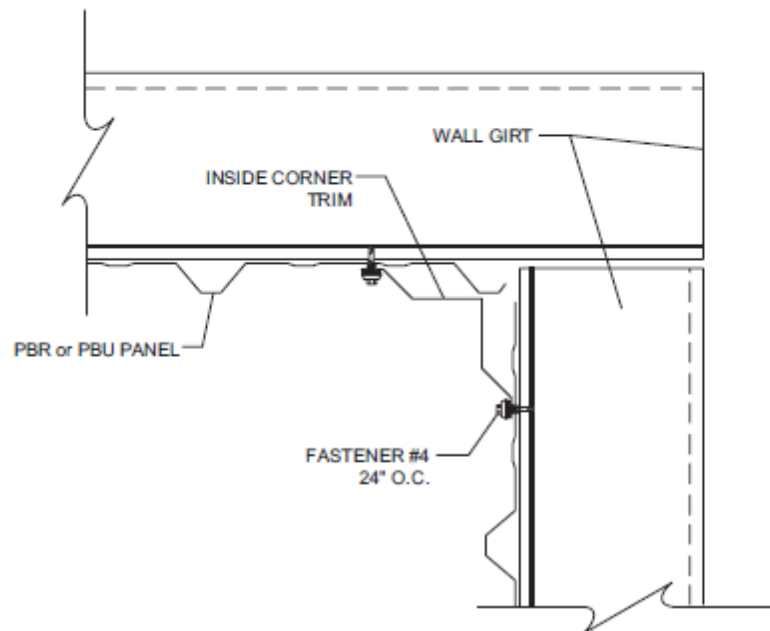
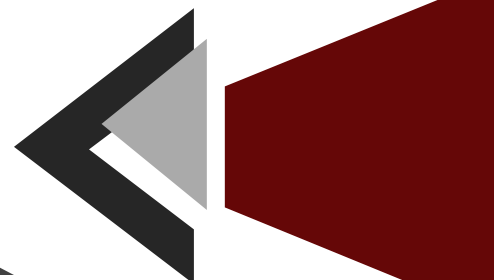
**TYPICAL DETAILS**  
**Gutter**


**TYPICAL DETAILS**  
**Eave Trim**


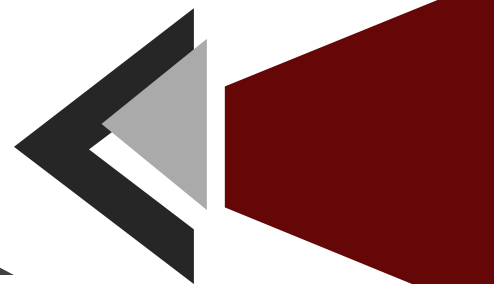
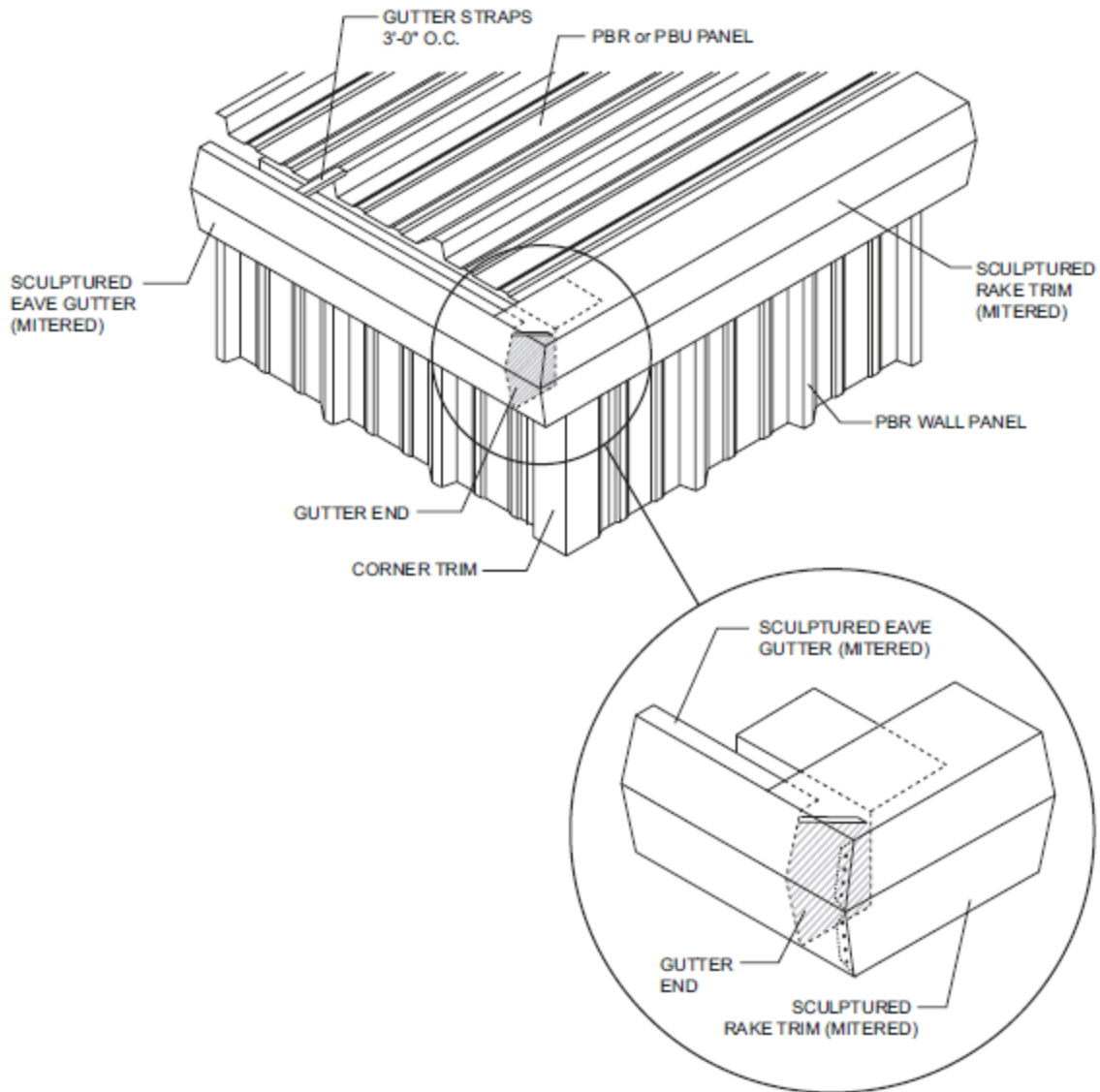
**TYPICAL DETAILS**  
**Rake**


**TYPICAL DETAILS**  
**Parapet High Side Eave**


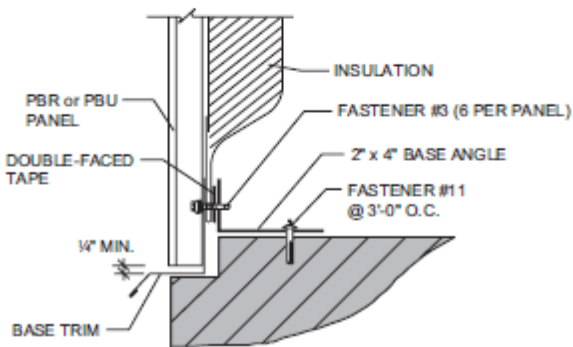
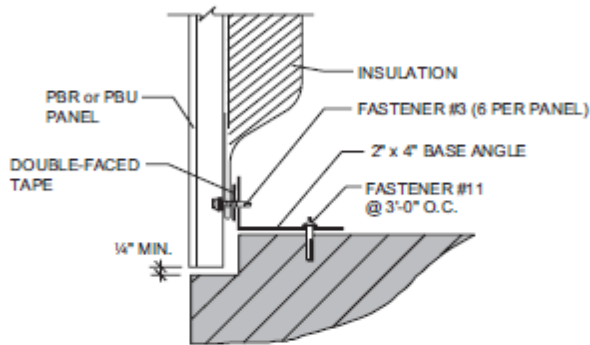
**TYPICAL DETAILS  
Parapet Rake**


**TYPICAL DETAILS  
Corner****OUTSIDE CORNER DETAIL****INSIDE CORNER DETAIL**

TYPICAL DETAILS  
Corner Box



### TYPICAL DETAILS Base



### TYPICAL DETAILS Head Jamb

